

# INCLUSIVE<sup>®</sup>

PROSTHETIC COMPONENTS



## ■ Introducing Inclusive<sup>®</sup> Prosthetic Components

Prismatik Dentalcraft, Inc. is dedicated to advancing implant dentistry by combining proven treatment protocols with cutting-edge materials, technologies and techniques. Since 2006, in pursuit of making implant therapy more accessible to patients around the globe, Prismatik Dentalcraft has assembled a diverse team of experts with decades of combined experience in design, engineering, and manufacture of dental implants. The culmination of this effort is Inclusive<sup>®</sup> Implant Prosthetics, a comprehensive array of FDA-cleared implant components that offer immediate value and lasting quality.

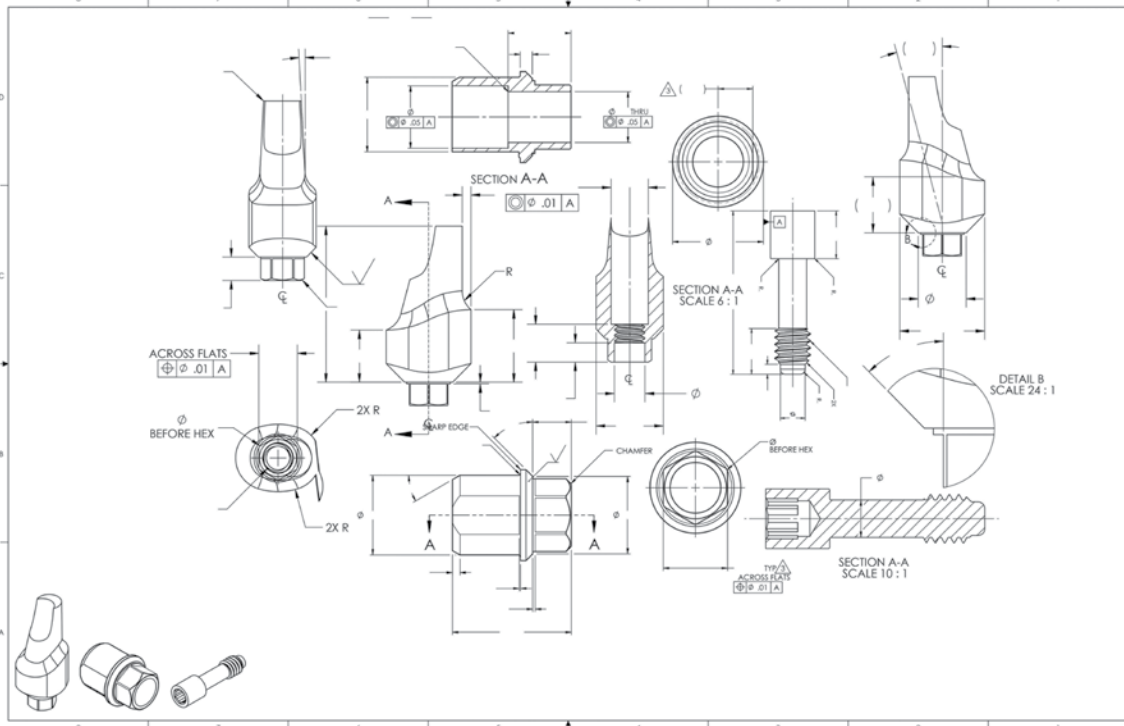
## ■ Quality Control Standards

Inclusive brand prosthetic components have been tested and validated in over 135,000 implant cases. All components are manufactured in Irvine, California, in an ISO 13485 certified environment operating under U.S. Food and Drug Administration Current Good Manufacturing Practices (CGMPs). These quality control standards require precise machining, state-of-the-art processing and cleaning, and extensive validation.



## ■ Diverse Selection

Prismatik Dentalcraft offers a diverse range of implant components that have FDA 510(k) clearance compatible with the industry's leading implant systems. Prosthetic components for the Inclusive Tapered Implant System include a wide array of analogs, screws, esthetic and multi-unit abutments, along with temporary and UCLA abutments, digital and conventional transfer copings, and more. Each component is manufactured to provide predictability, quality and confidence in function. The uniformity of Inclusive prosthetic components helps to simplify, standardize and streamline the restorative processes, while the expansive selection of components offers the optimal solution for cases regardless of the restorative connection.



## Enhanced Profitability

Inclusive prosthetic components are priced uniformly across all implant systems, helping practices and laboratories operate more efficiently. With consistent, accessible pricing, doctors and laboratories know exactly what their component costs will be. Regardless of the implant system used, fees for implant cases can be established predictably.

## Guaranteed Security

Prismatik Dentalcraft stands by and is committed to its implant products, offering a six-month warranty on all prosthetic components and a seven-year warranty on all implants. The Inclusive brand has quickly established itself as a trusted name within the industry, and Prismatik Dentalcraft as a manufacturer at the forefront of the technology. Choosing Prismatik Dentalcraft as your partner in the implant industry guarantees proven components at predictable, competitive prices.



## ■ Inclusive® Prosthetic Components

Implant Analogs

Abutment Analogs

Titanium Screws

Titanium Abutments

UCLA Gold Abutments

UCLA Plastic Abutments

Multi-Unit Abutments

Angled Multi-Unit Abutments

Temporary Abutments

Scanning Abutments

Impression Transfer Copings



Additional components and accessories available. Component selection varies by system. Call for pricing.

Compatible with the following implant systems:

- BIOMET 3i™ Certain®
- CAMLOG® SCREW-LINE
- DENTSPLY Implants ANKYLOS® C/X
- DENTSPLY Implants ASTRA TECH Implant System®
- Inclusive® Tapered Implant System
- Keystone Dental PrimaConnex®
- Neoss®
- Nobel Biocare Brånemark System® RP
- Nobel Biocare NobelActive®
- Nobel Biocare NobelReplace®
- Straumann® Bone Level
- Straumann® Tissue Level
- Zimmer Dental Screw-Vent®



Inclusive is a registered trademark of Prismatic Dentalcraft, Inc. All other trademarks are property of their respective owners. Glidewell Laboratories works in partnership with Neoss and Keystone.



Designed & Manufactured in the USA

by



**PRISMATIK  
DENTALCRAFT, INC.**

(A wholly owned subsidiary of Glidewell Laboratories)

2212 Dupont Dr. • Irvine, CA 92612

Distributed by